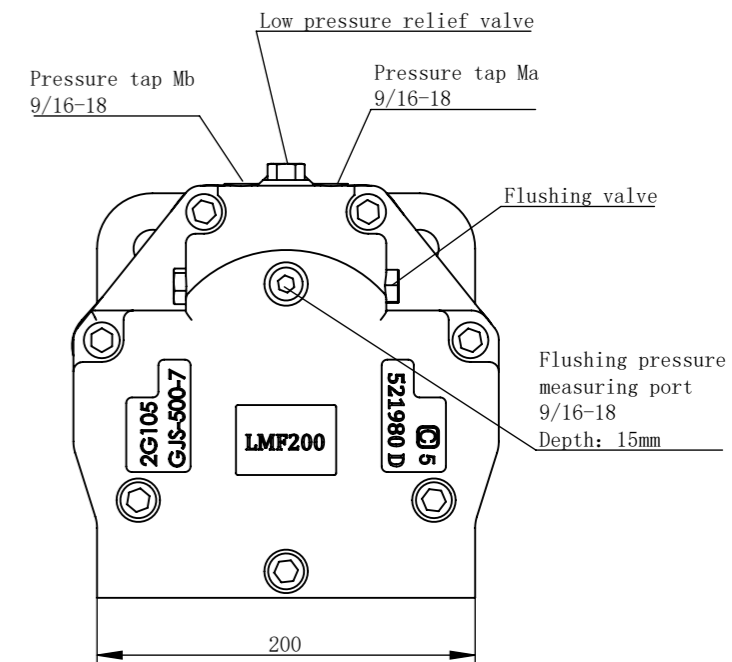
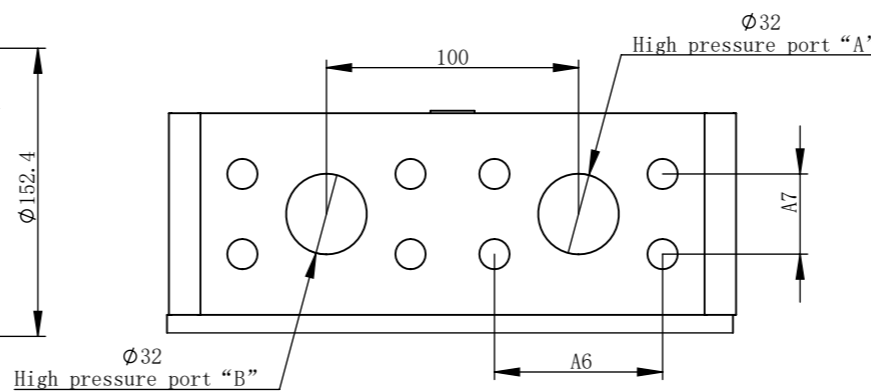
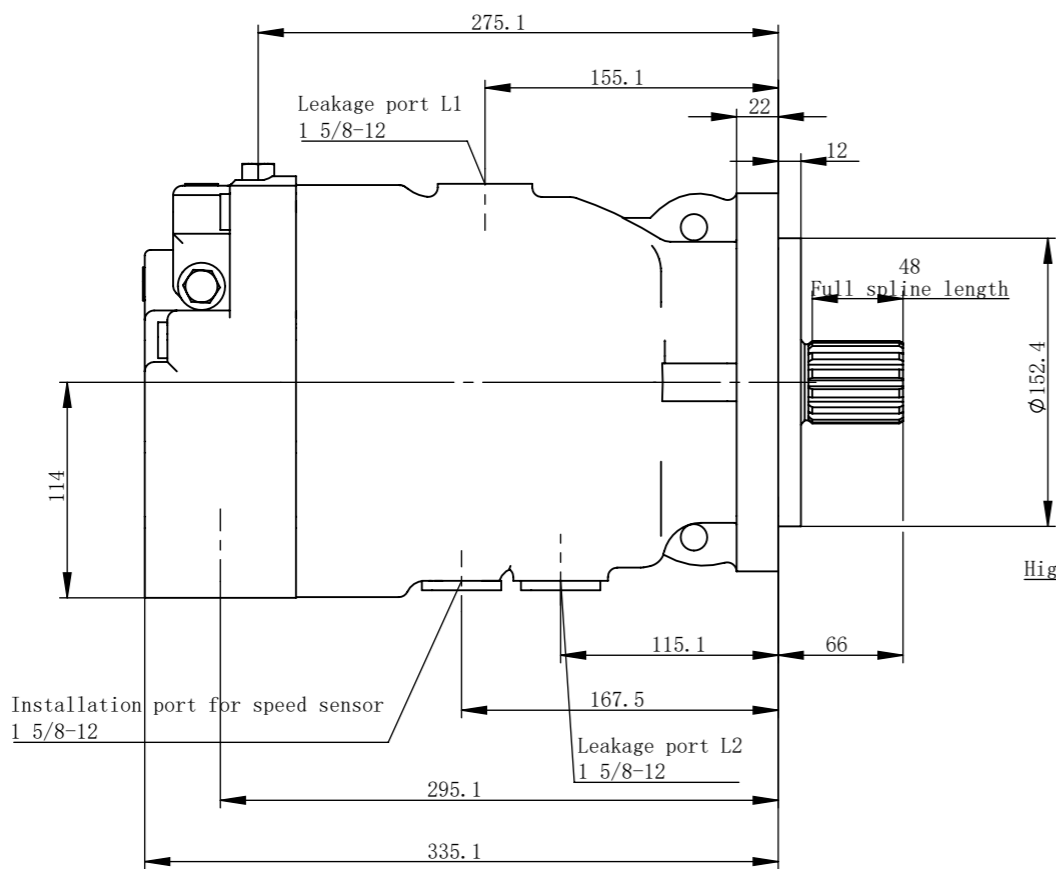
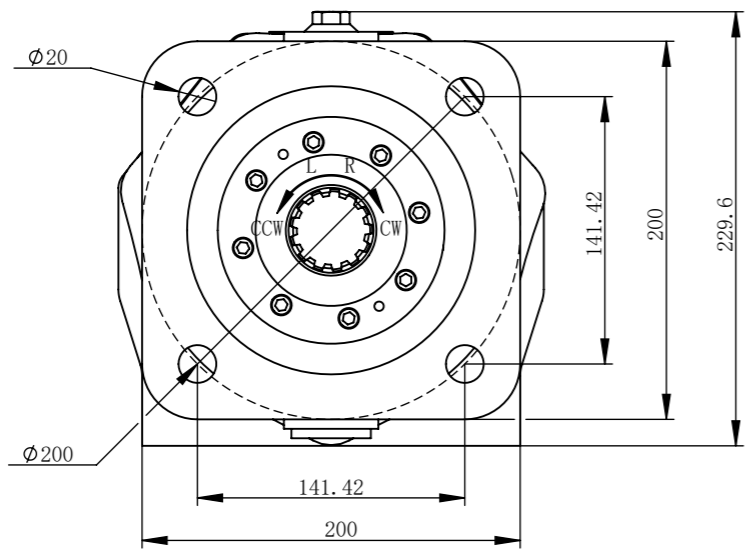


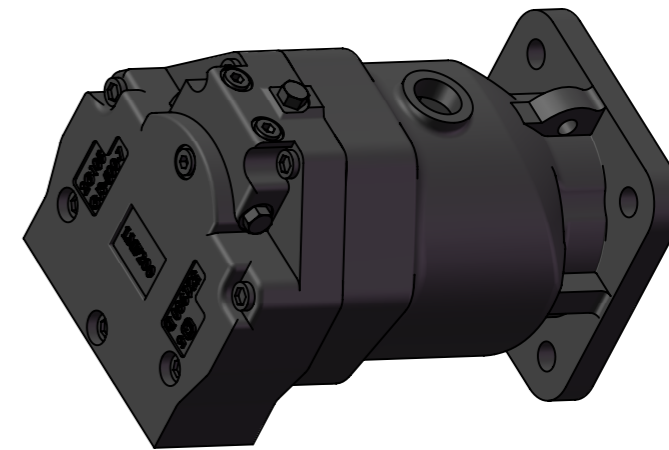
LMF160/200-27/13



technical requirement	
Minimum speed	500r/min
maximum speed	2800r/min
Rated working pressure	30Mpa



Motor shaft rotation direction		
	Port A	Port B
Clockwise CW	out	enter
Counterclockwise CCW	enter	out



Propeller shaft spline				Displacement 160/200 ml/r	Ports A、B		Ports L1、L2 1 5/8-12
Teeth	Z	27	13		M12 Depth: 25mm		
Radial pitch	M	16/32	8/16		A6 mm[in]	A7 mm[in]	
Pressure angle	a	30°	30°		66.7	31.8	
Dividing circle diameter	D	Ø42.86	Ø41.38				



Product model	LMF160/200-27/13	
Product name	Closed axial piston motor	
Date	Weight (kg)	Proportion
	66	1:5
Shangdong Highland Hydraulic Seiko Co., Ltd		