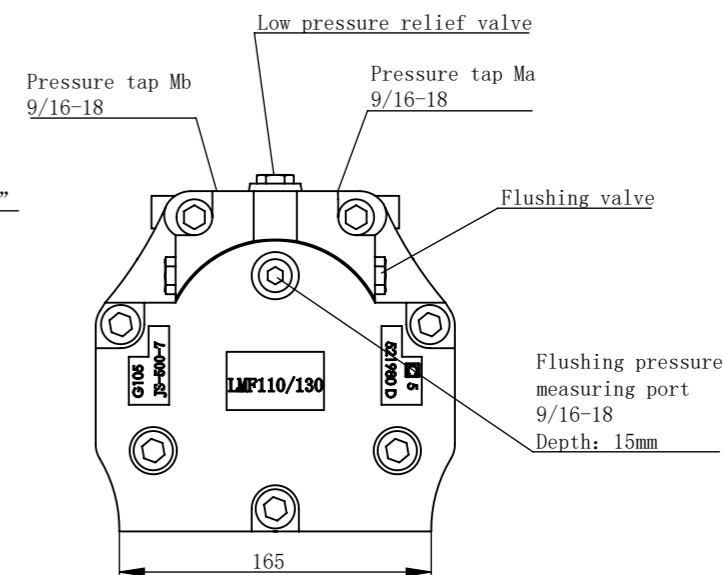
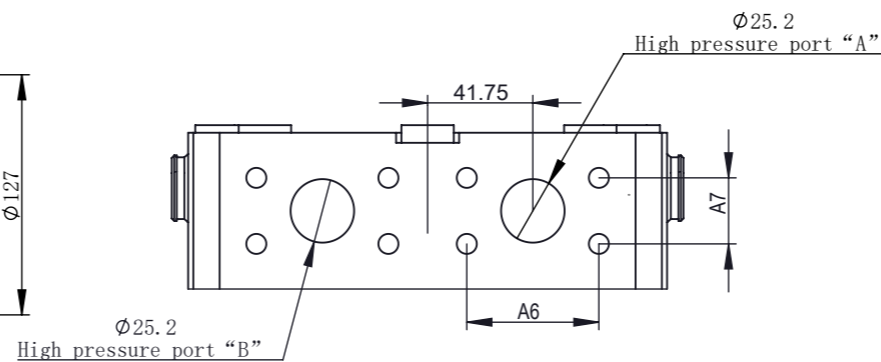
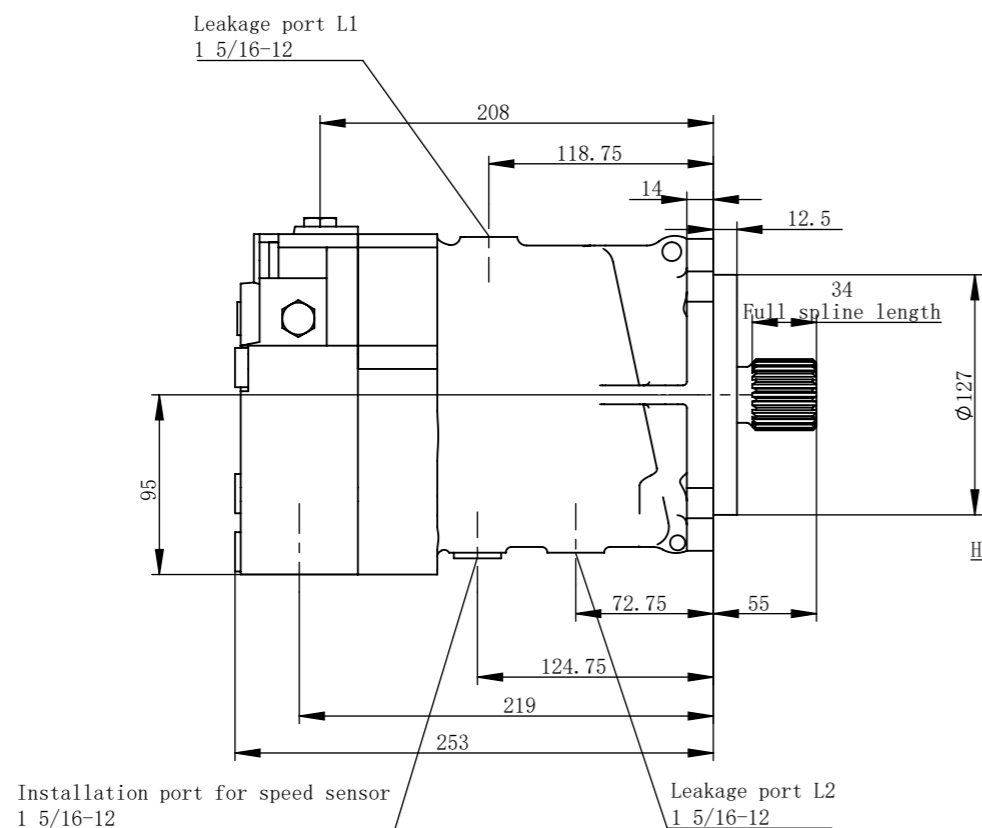
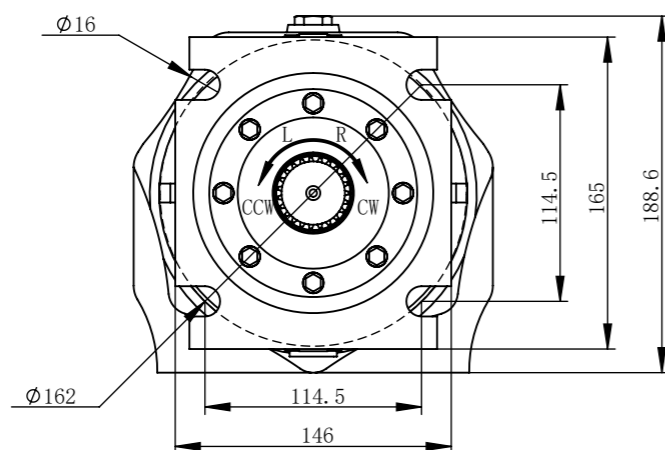


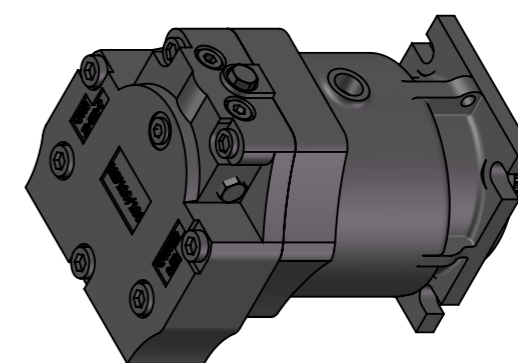
LMF110/130-21/23/14



technical requirement	
Minimum speed	500r/min
maximum speed	2900r/min
Rated working pressure	30Mpa



Motor shaft rotation direction		
	Port A	Port B
Clockwise CW	out	enter
Counterclockwise CCW	enter	out



Propeller shaft spline					Displacement	Ports A、B		Ports L1、L2
Teeth	Z	21	23	14		M12 Depth: 25mm		
Radial pitch	M	16/32	16/32	12/24	110/130 ml/r	A6 mm[in]	A7 mm[in]	1 5/16-12
Pressure angle	a	30°	30°	30°		57.2	27.8	
Dividing circle diameter	D	∅33.34	∅36.5	∅29.63				



Product model		LMF110/130-21/23/14	
Product name		Closed axial piston motor	
Date	Weight (kg)	Proportion	Shandong Highland Hydraulic Seiko Co., Ltd
	36	1:5	