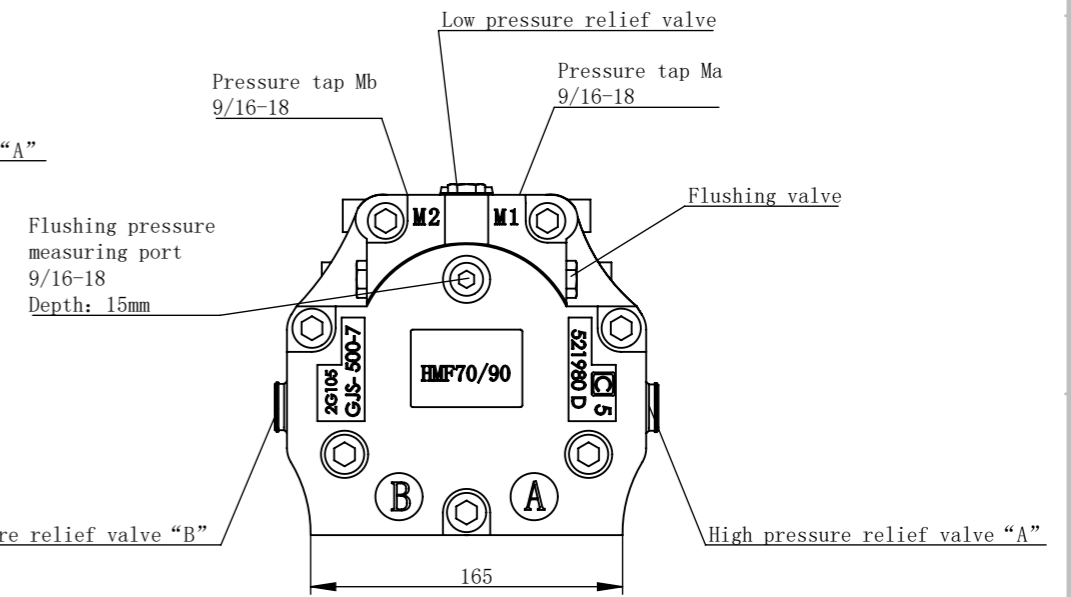
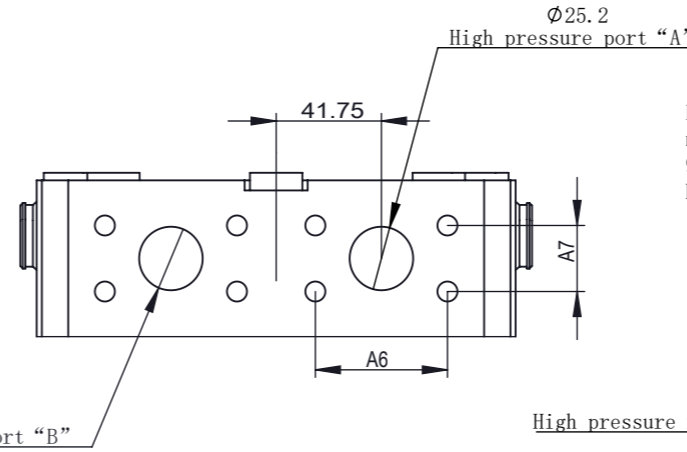
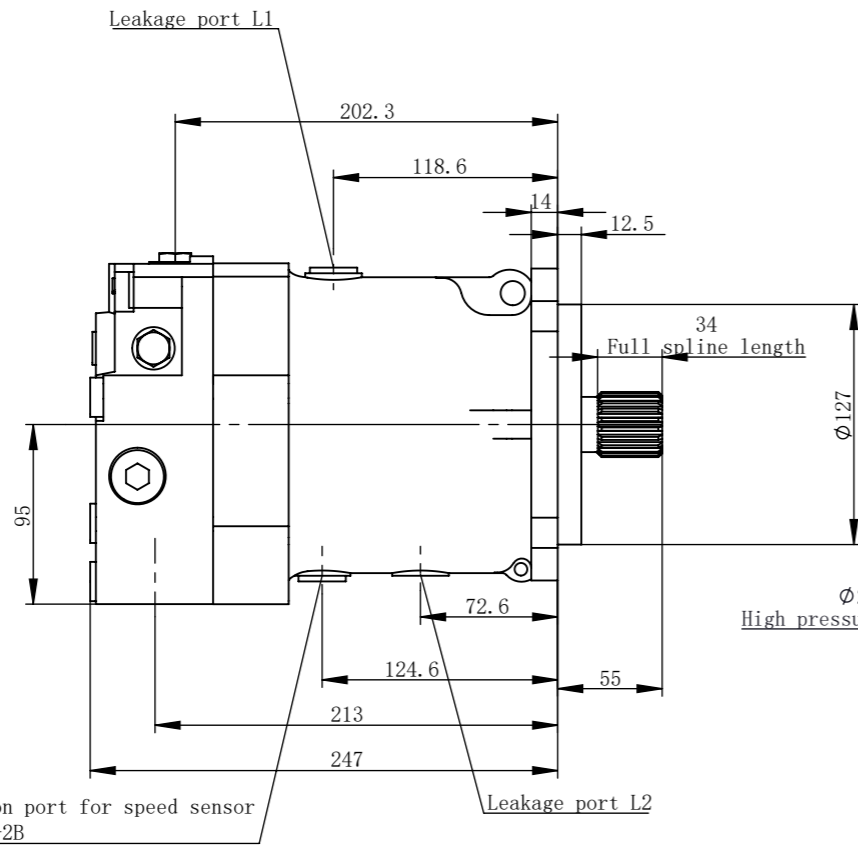
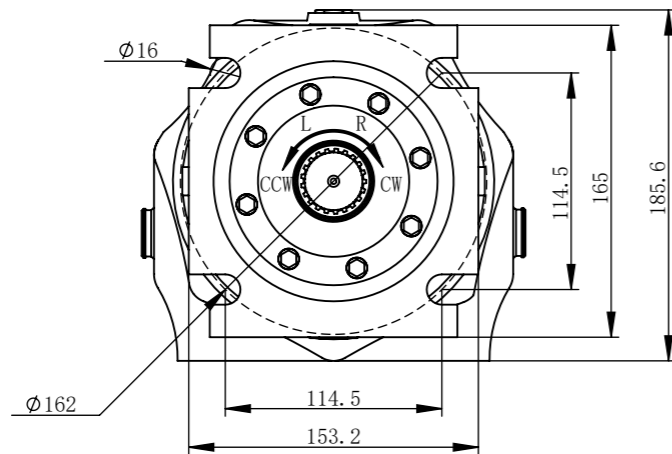


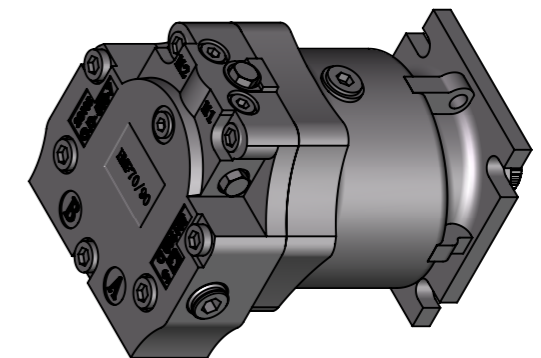
HMF70/90-21




technical requirement	
Minimum speed	500r/min
maximum speed	3200r/min
Rated working pressure	30Mpa



Motor shaft rotation direction		
	Port A	Port B
Clockwise CW	out	enter
Counterclockwise CCW	enter	out



Propeller shaft spline			Displacement	Ports A、B		Ports L1、L2	High pressure relief valve A、B
Teeth	Z	21		A6	A7		
Radial pitch	M	16/32	70/90 ml/r	mm[in]	mm[in]	7/8-14 UNF-2B	32Mpa 35Mpa 40Mpa
Pressure angle	a	30°		52.4	26.2		
Dividing circle diameter	D	Ø33.34					

	Product model		HMF70/90-21
	Product name		Closed axial piston motor
Date	Weight (kg)	Proportion	Shangdong Highland Hydraulic Seiko Co.,Ltd
	33	1:5	