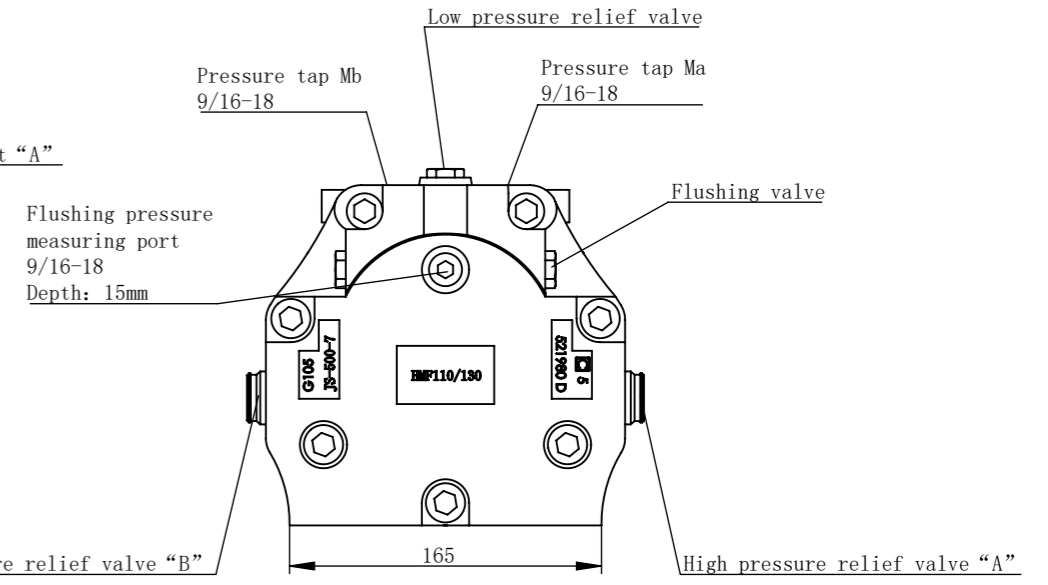
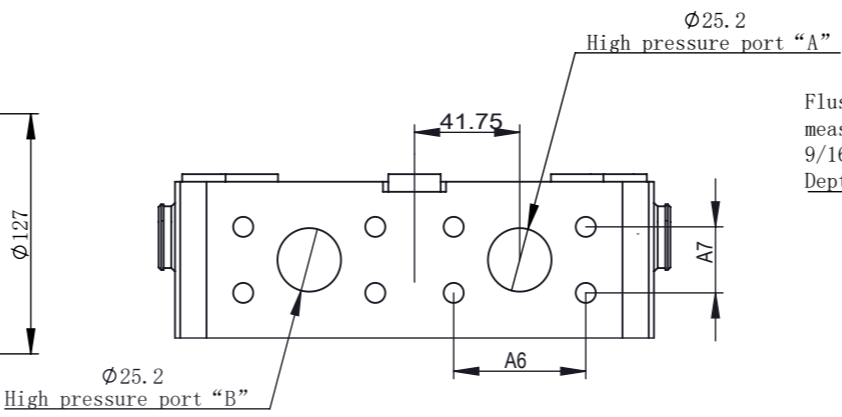
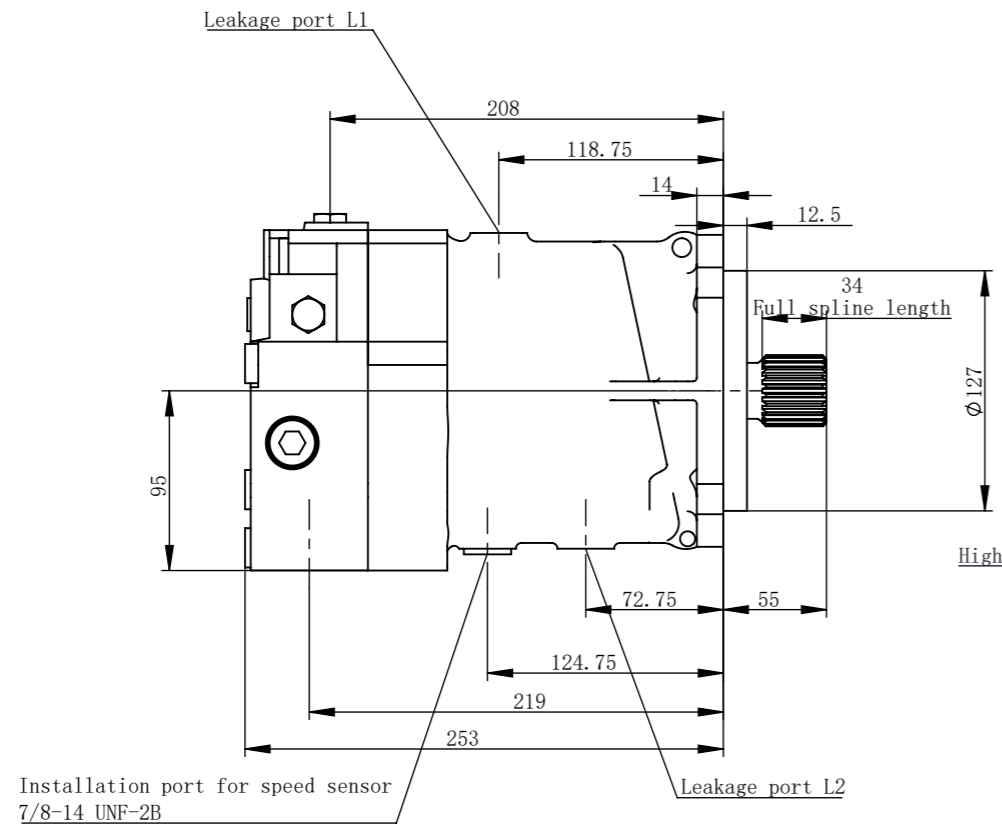
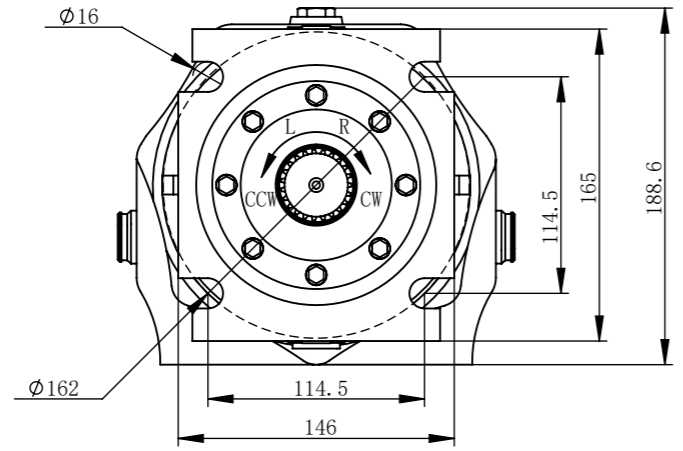


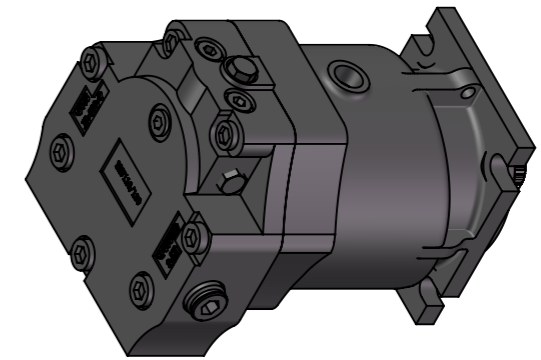
HMF110/130-21/23




technical requirement	
Minimum speed	500r/min
maximum speed	2900r/min
Rated working pressure	30Mpa



Motor shaft rotation direction		
	Port A	Port B
Clockwise CW	out	enter
Counterclockwise CCW	enter	out



Propeller shaft spline				Displacement 110/130 ml/r	Ports A, B		Ports L1, L2 7/8-14 UNF-2B	High pressure relief valve A, B 32Mpa 35Mpa 40Mpa
Teeth	Z	21	23		M12 Depth: 25mm			
Radial pitch	M	16/32	16/32		A6 mm[in]	A7 mm[in]		
Pressure angle	a	30°	30°		57.2	27.8		
Dividing circle diameter	D	∅33.34	∅36.5					

	Product model		HMF110/130-21/23
	Product name		Closed axial piston motor
Date	Weight (kg)	Proportion	Shangdong Highland Hydraulic Seiko Co., Ltd
	36	1:5	