

8

7

6

5

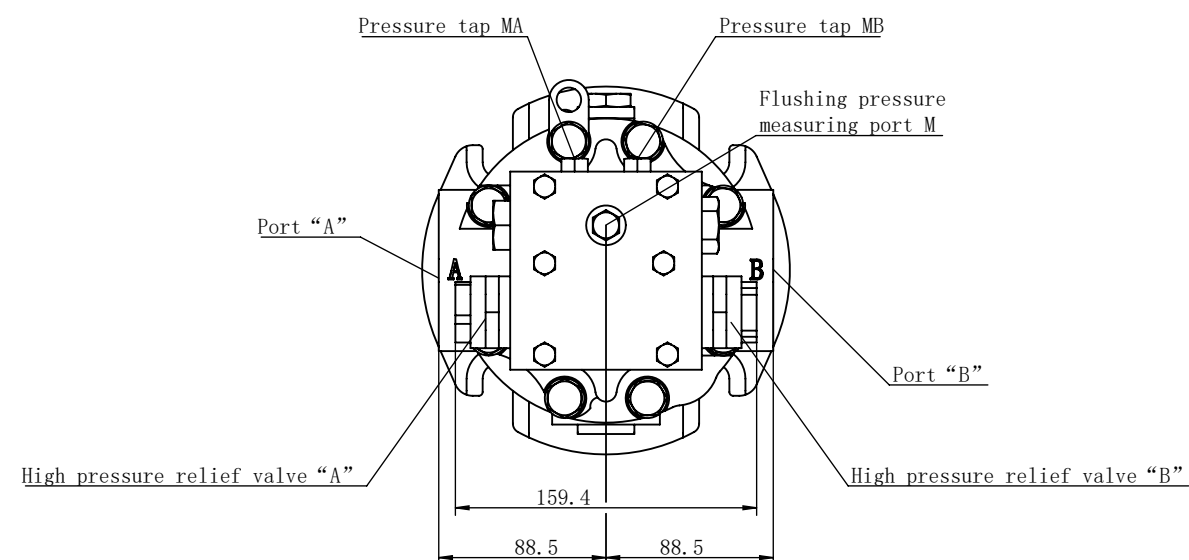
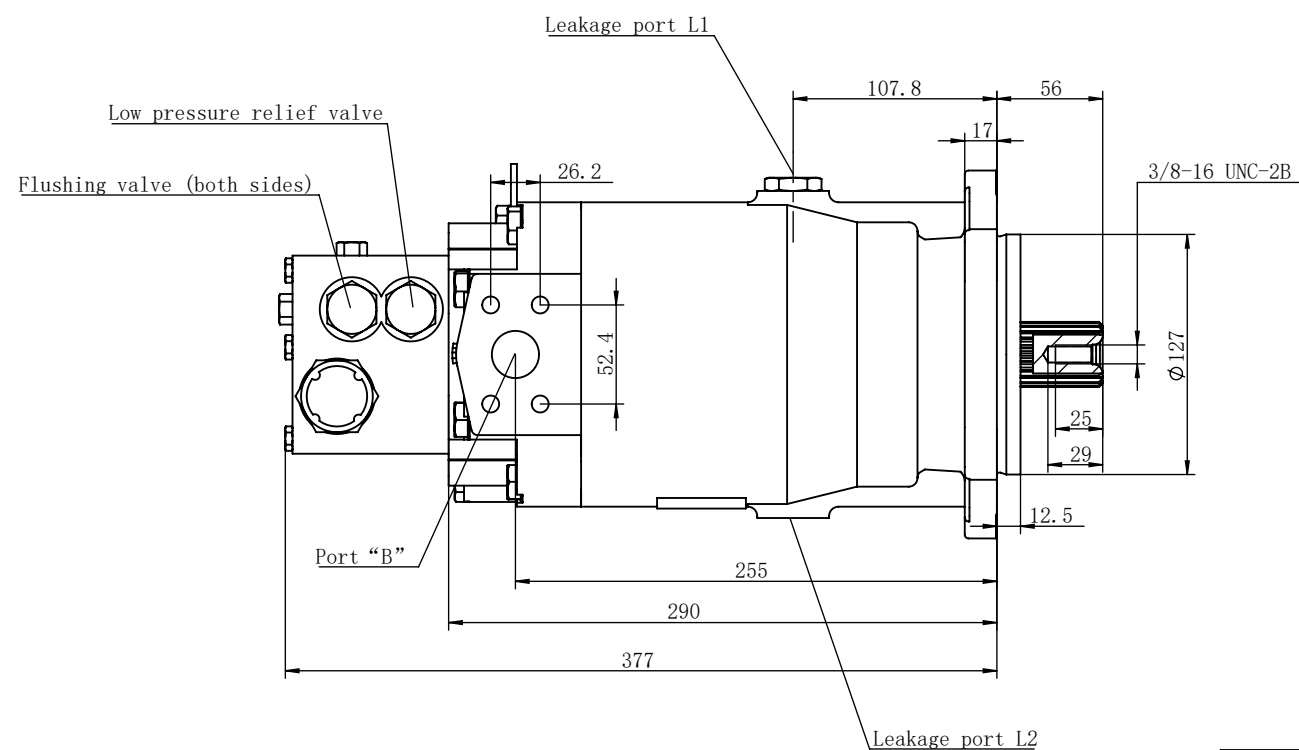
4

3

2

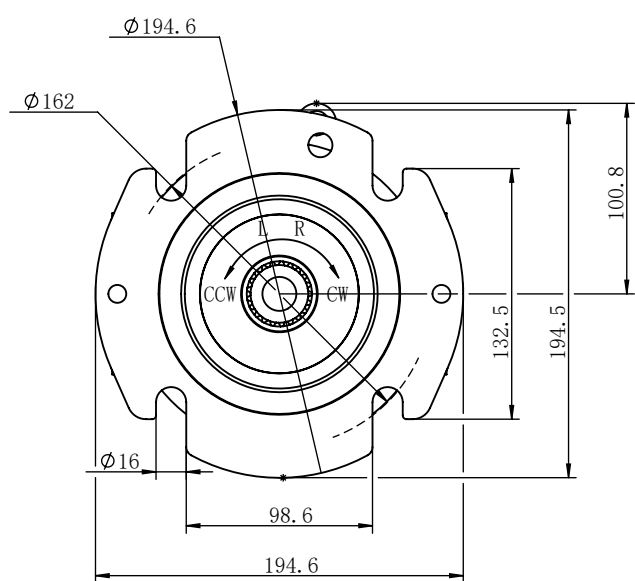
1

MF22-21



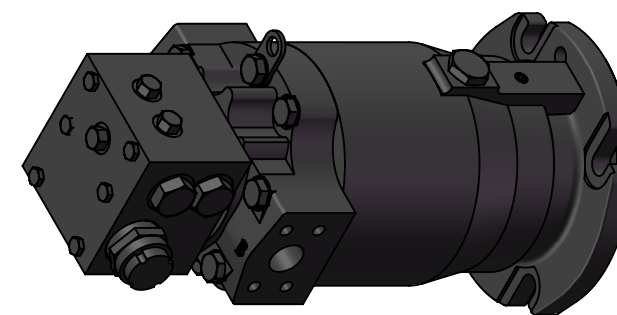
technical requirement

Minimum speed	500r/min
maximum speed	2800r/min
Rated working pressure	30Mpa



Motor shaft rotation direction

	Port A	Port B
Clockwise CW	out	enter
Counterclockwise CCW	enter	out



Propeller shaft spline				Conical axis		Displacement	Ports A, B		Ports L1, L2	Port M	Port MA and MB	High pressure relief valve A, B
Teeth	Z	14	21	Lock nut	1-20 UNEF-2B wrench: 38		M12 Depth: 25mm					
Radial pitch	M	12/24	16/32			A6 mm[in]	A7 mm[in]					
Pressure angle	a	30°	30°			52.4	26.2					
Dividing circle diameter	D	Ø29.63	Ø33.34									
						69.8 ml/r						



Product model

MF22-21

Product name

Closed axial piston motor

Date

Weight (kg)

Proportion

Shangdong Highland Hydraulic Seiko Co., Ltd

8

7

6

5

4

3

2

1

A