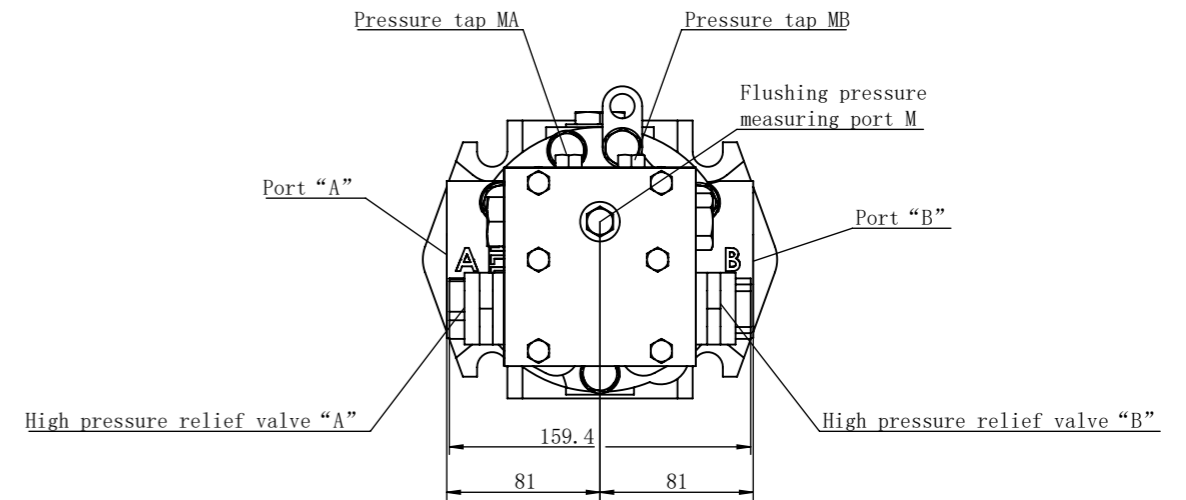
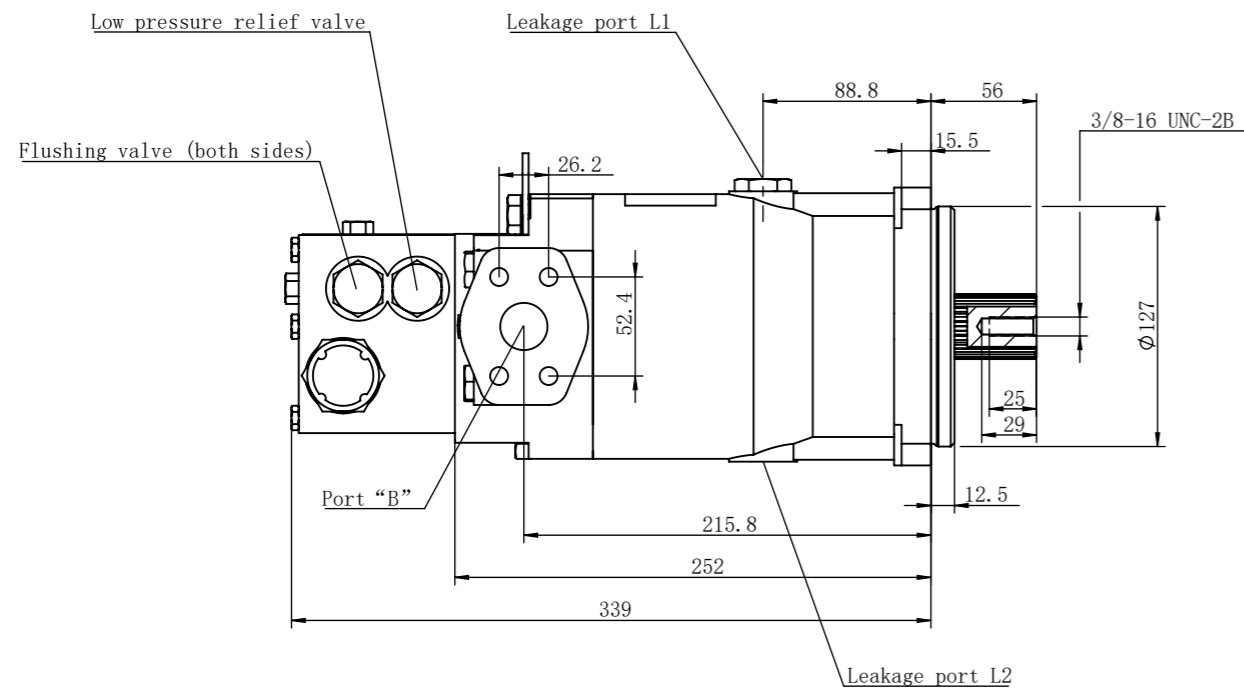
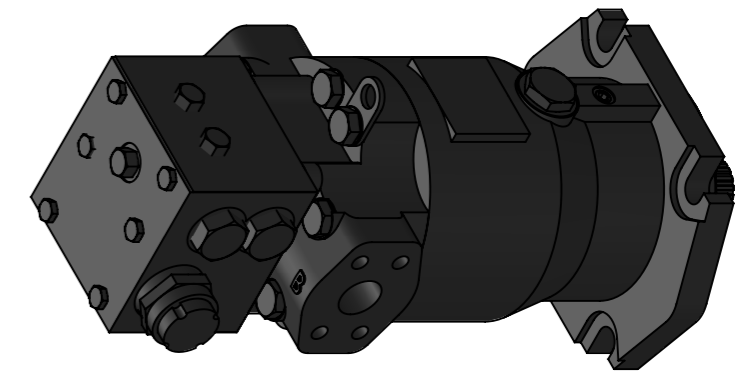
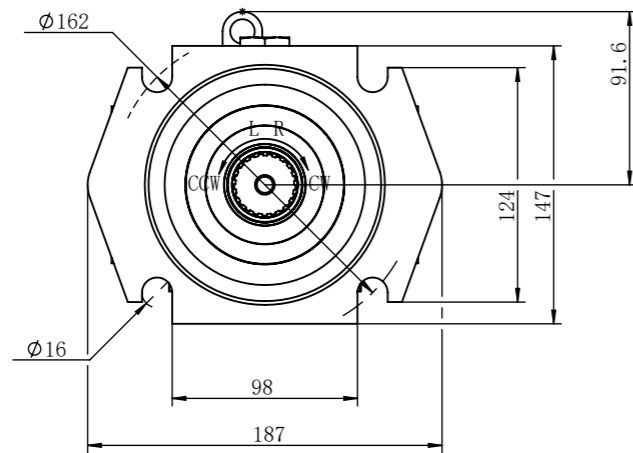


MF20-21




technical requirement	
Minimum speed	500r/min
maximum speed	3500r/min
Rated working pressure	30Mpa

Motor shaft rotation direction		
	Port A	Port B
Clockwise CW	out	enter
Counterclockwise CCW	enter	out



Propeller shaft spline				Conical axis		Displacement 33.4 ml/r	Ports A, B		Ports L1, L2 7/8-14 UNF-2B	Port M 7/16-20 UNF-2B	Port MA and MB	High pressure relief valve A, B 35Mpa 42Mpa
Teeth	Z	14	21	Lock nut	1-20 UNEF-2B wrench: 38		M12 Depth: 25mm					
Radial pitch	M	12/24	16/32				A6 mm[in]	A7 mm[in]				
Pressure angle	a	30°	30°				52.4	26.2				
Dividing circle diameter	D	Ø29.63	Ø33.34									

	Product model		MF20-21
	Product name		Closed axial piston motor
	Date	Weight (kg)	Proportion
	34	1:5	