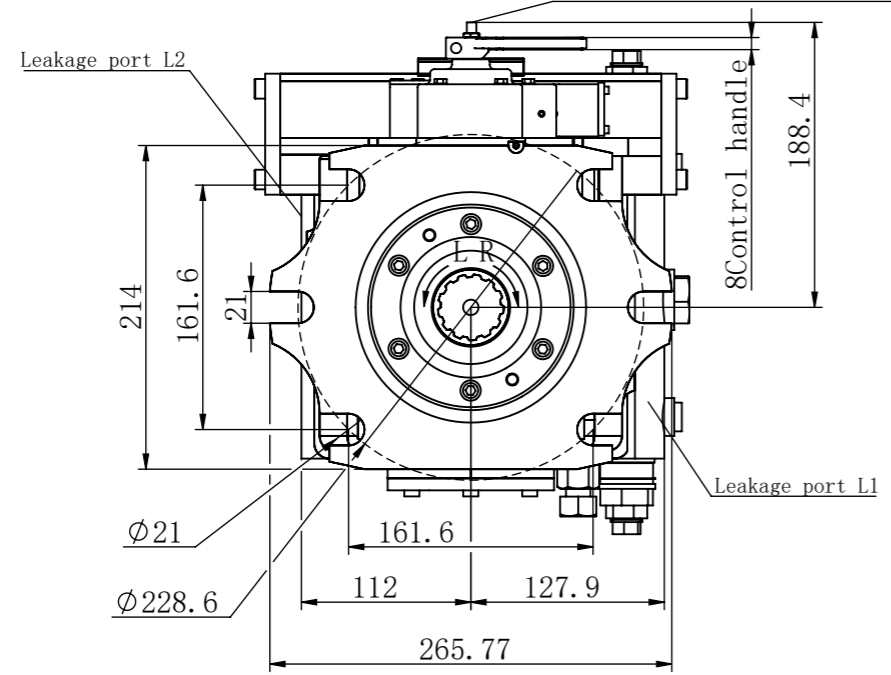
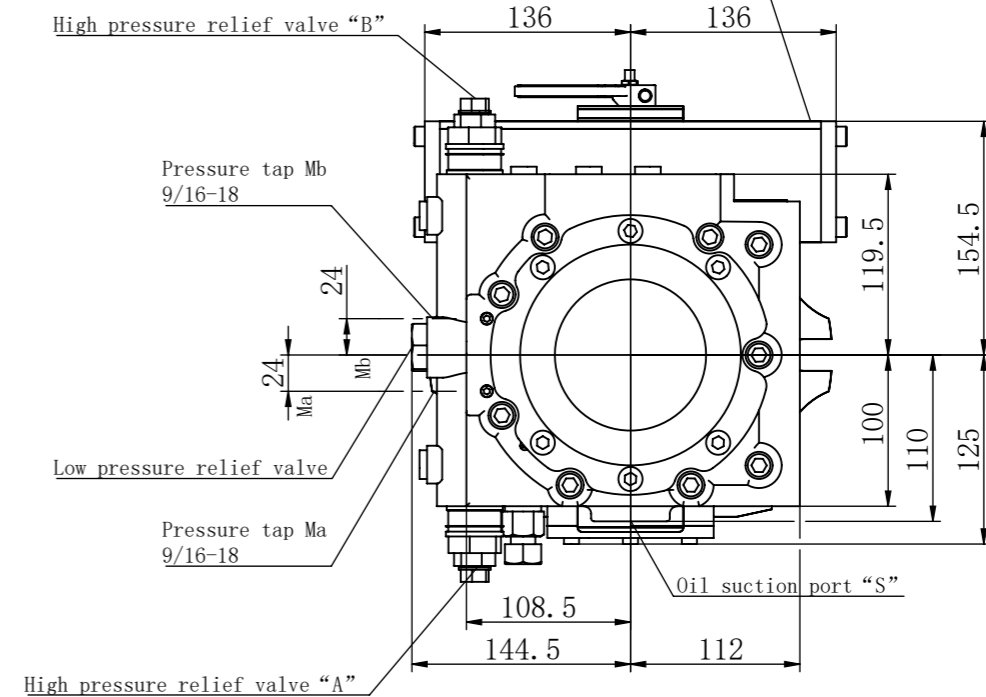
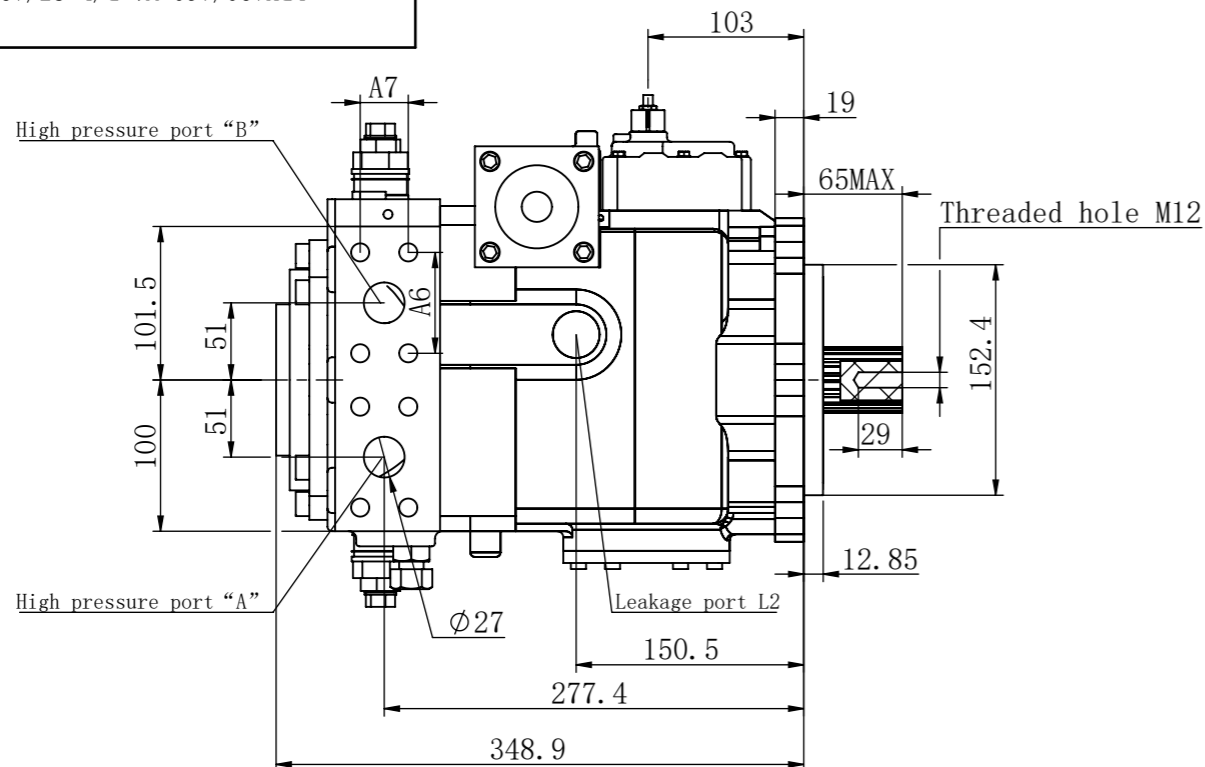
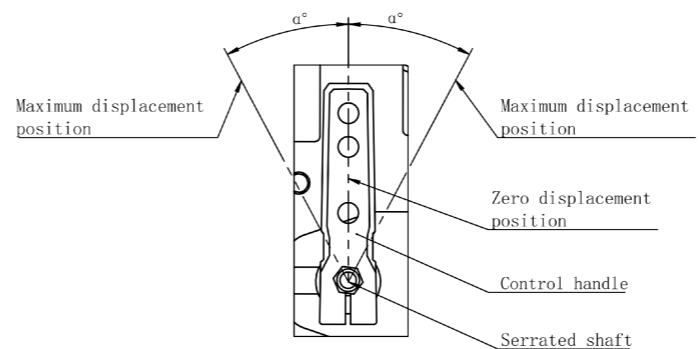
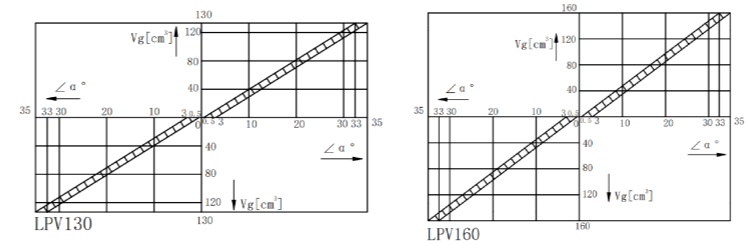


NN-3I/L2-L-R-VW-09I/03I/1A7I

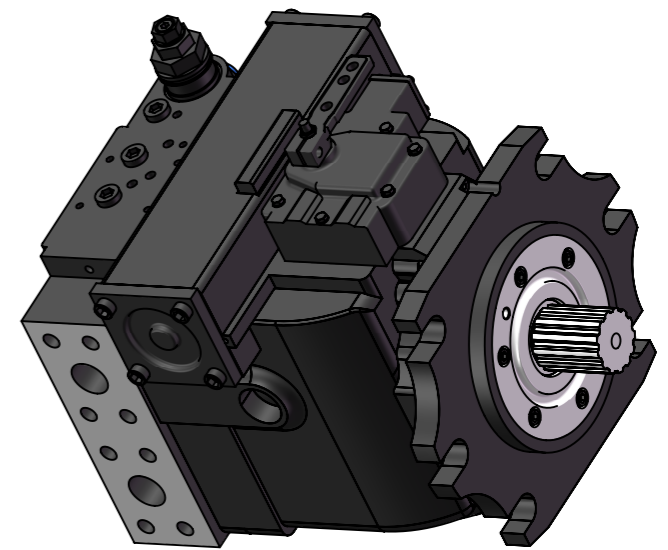
Pressure tap-servo cylinder pressure(both sides)  
9/16-18



technical requirement	
Minimum speed	500r/min
maximum speed	2400r/min
Rated working pressure	30Mpa



EP	Electric Proportional servo control	
HS	Hydraulic servo control	



Propeller shaft spline				Displacement	Oil suction pressure	Oil suction displacement	Ports A, B		Ports L1, L2	Port S	High pressure relief valve A, B						
Teeth	Z	27	13				M12 Depth: 25mm										
Radial pitch	M	16/32	8/16				130/160 ml/r	1.8-2.4 Mpa				35	A6 mm[in]	A7 mm[in]	1 5/16-12	1 5/8-12	32Mpa 35Mpa 40Mpa
Pressure angle	a	30°	30°										66.7	31.8			
Dividing circle diameter	D	Φ42.86	Φ41.38														

	Product model		LPV130/160-MA-R/L-27/13-NN	
	Product name		Closed axial piston pump	
Date	Weight (kg)	Proportion	Shandong Highland Hydraulic Seiko Co., Ltd	
	98	1:5		