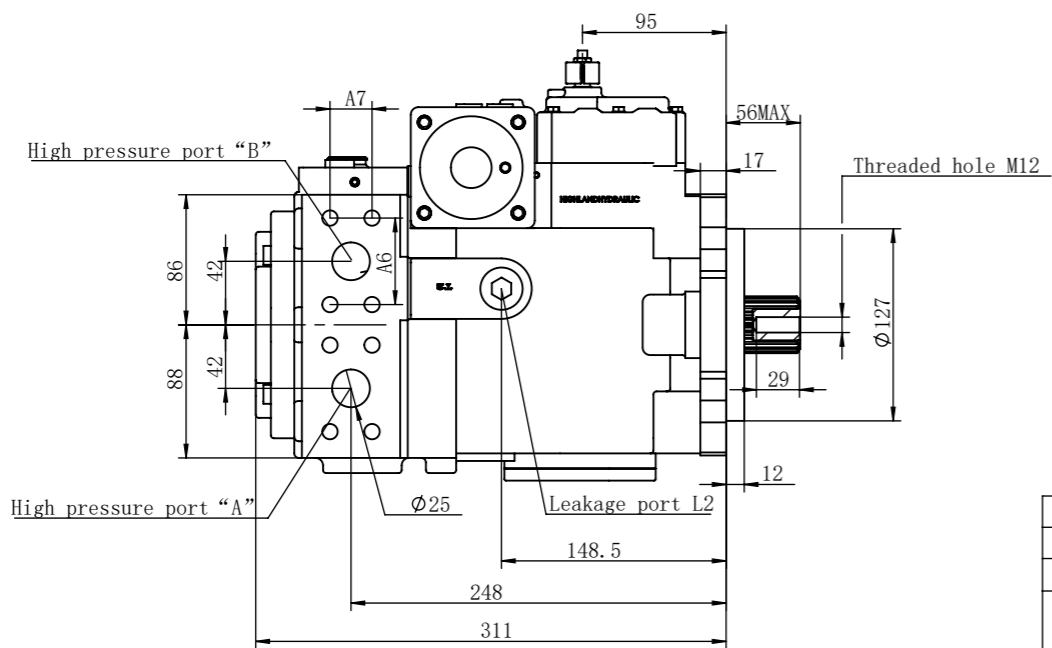
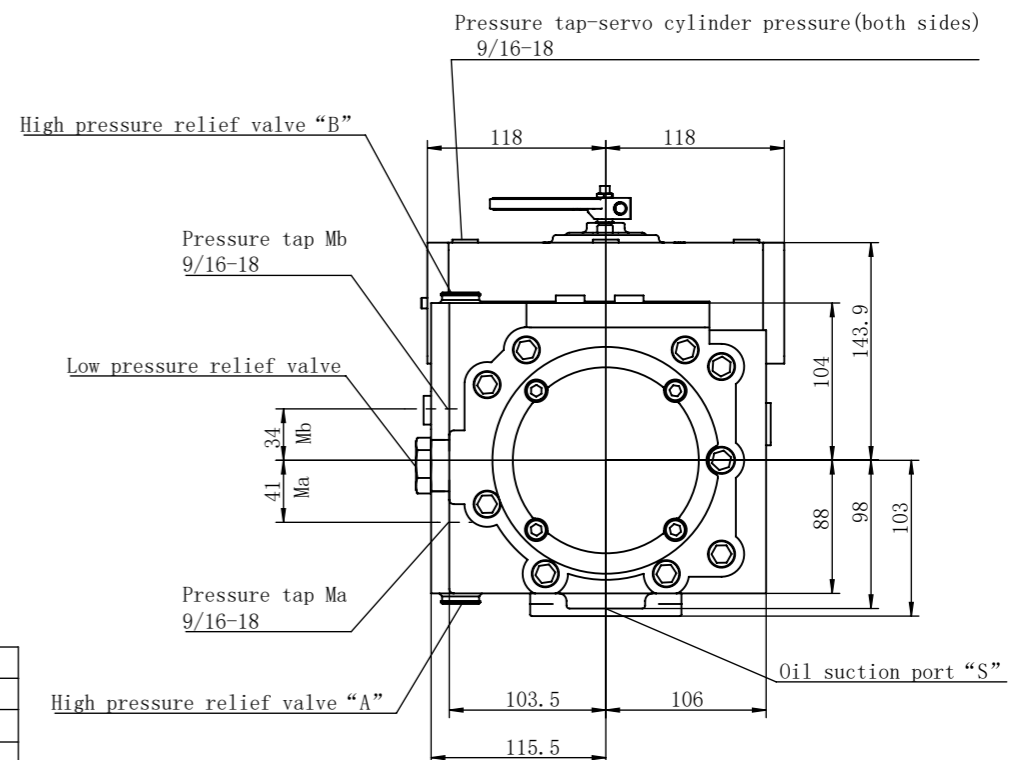
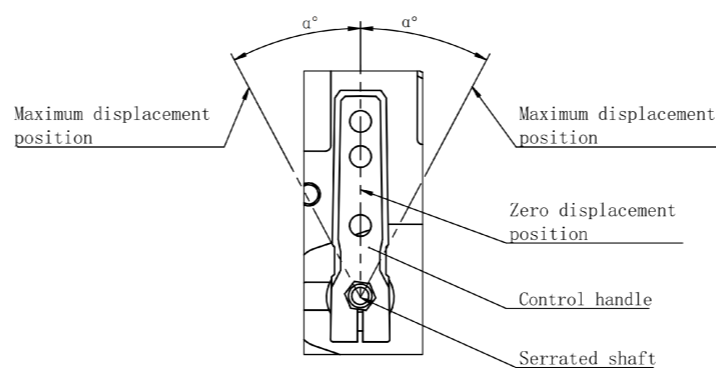
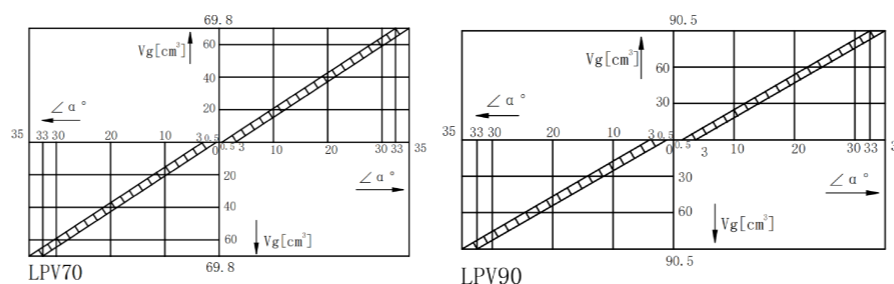


LPV70/90-MA-R/L-21/23/14-NN

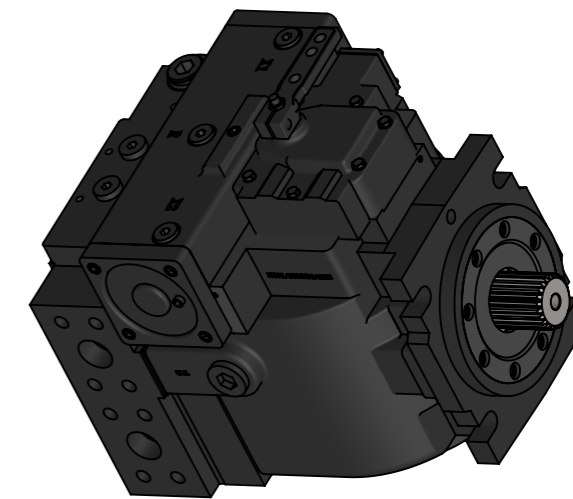


Control handle spline shaft data:
 1/4-20 UNC-2A
 Diametrical pitch: 64/128
 Radial angle variable: 64
 Standard: SAE 1963
 OD: 9.5 ± 0.05
 Teeth: 24



technical requirement	
Minimum speed	500r/min
maximum speed	3000r/min
Rated working pressure	30Mpa

EP	Electric Propprtional servo control	
HS	Hydraulic servo control	



Propeller shaft spline					Displacement	Oil suction pressure	Oil suction displacement	Ports A, B		Ports L1, L2	Port S	High pressure relief valve A, B
Teeth	Z	21	23	14				M12	Depth: 25mm			
Radial pitch	M	16/32	16/32	12/24	70/90 ml/r	1.8-2.4 Mpa	22	A6	A7	1 1/16-12	1 5/16-12	32Mpa 35Mpa 40Mpa
Pressure angle	a	30°	30°	30°				mm[in]	mm[in]			
Dividing circle diameter	D	Ø33.34	Ø36.5	Ø29.63				57.2	27.8			

	Product model	LPV70/90-MA-R/L-21/23/14-NN	
	Product name	Closed axial piston pump	
Date	Weight (kg)	Proportion	Shangdong Highland Hydraulic Seiko Co., Ltd
	62.5	1:5	