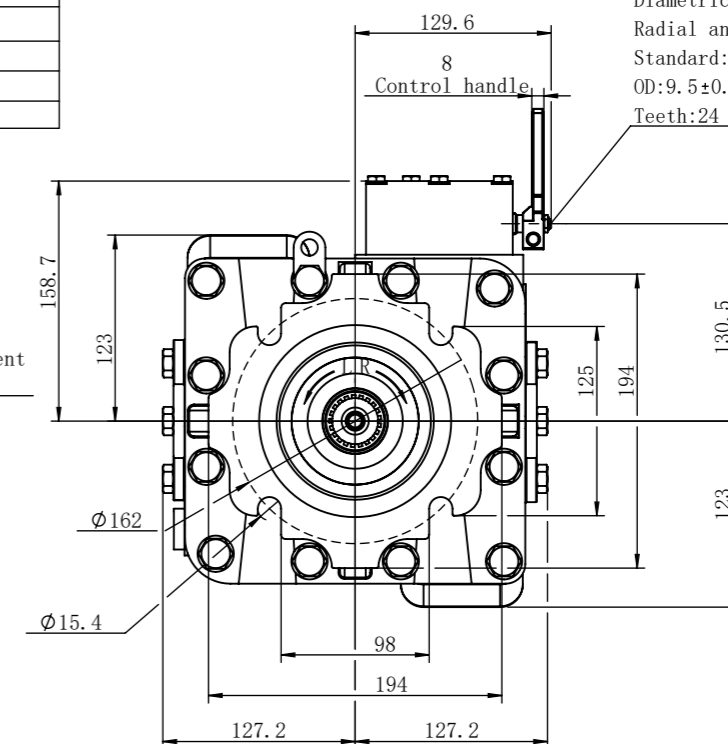
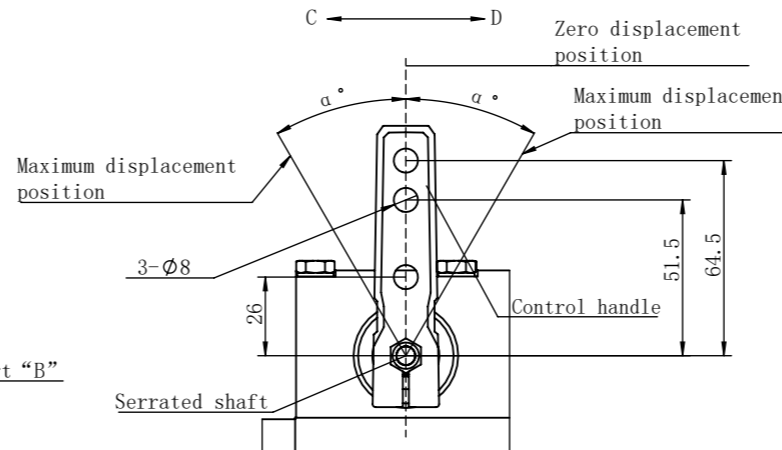
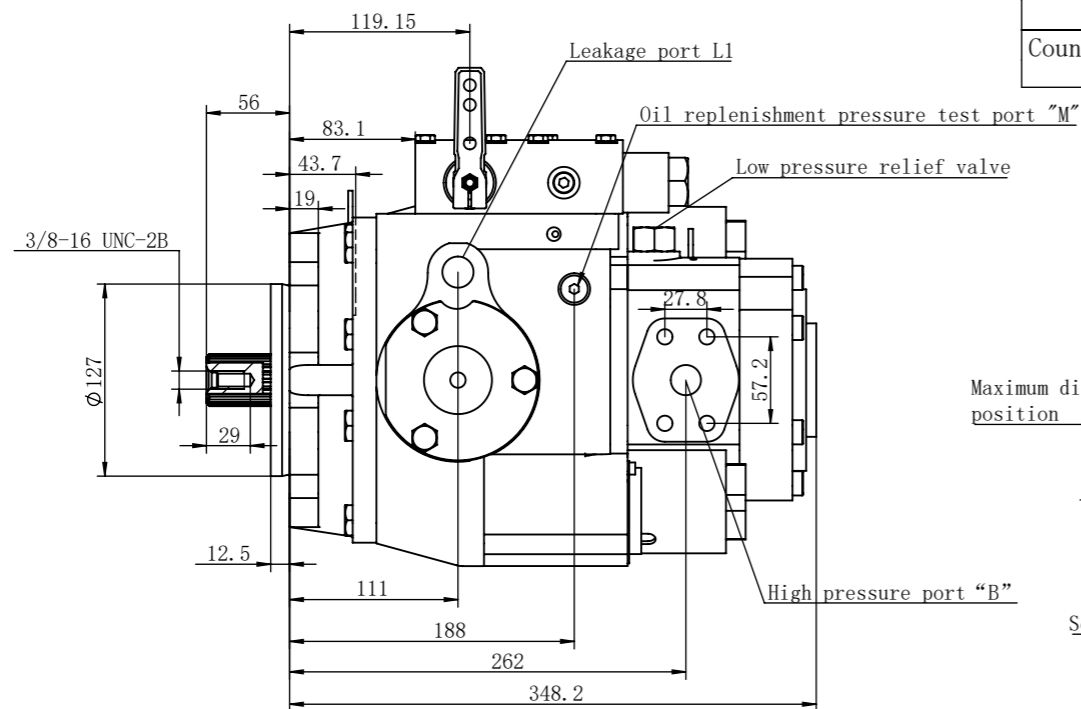


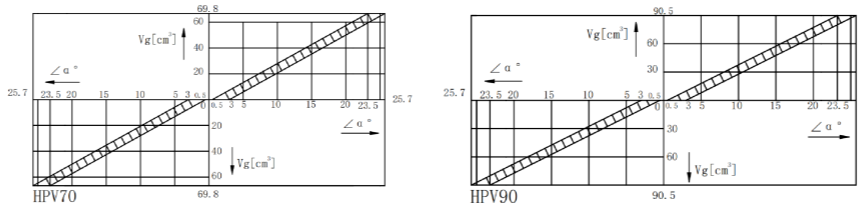
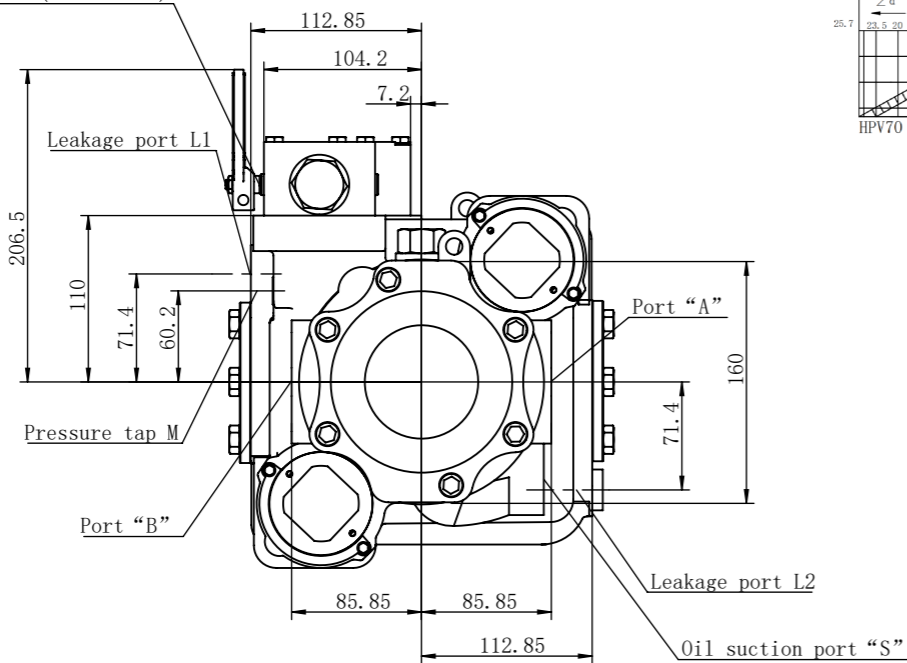
HPV70/90-MA-R/L-23

| Pump rotation direction | Control handle Rotation direction | Pressure port Outbound | Pressure port enter |
|-------------------------|-----------------------------------|------------------------|---------------------|
| Clockwise (R)           | C                                 | A                      | B                   |
|                         | D                                 | B                      | A                   |
| Counterclockwise (L)    | C                                 | B                      | A                   |
|                         | D                                 | A                      | B                   |

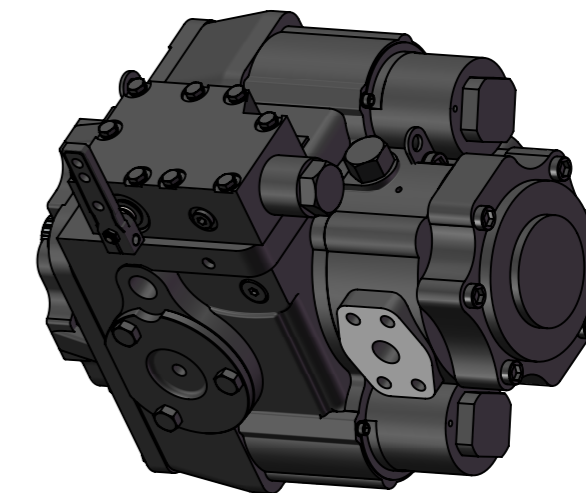
Control handle spline shaft data:  
 1/4-20 UNC-2A  
 Diametrical pitch: 64/128  
 Radial angle varibale: 64  
 Standard:SAE 1963  
 OD:9.5±0.05  
 Teeth:24



Pressure tap-  
servo cylinder pressure(both sides)



|    |                                     |  |
|----|-------------------------------------|--|
| EP | Electric Propprtional servo control |  |
| HS | Hydraulic servo control             |  |



| technical requirement    |           |
|--------------------------|-----------|
| Minimum speed            | 500r/min  |
| maximum speed            | 3000r/min |
| Rated working pressure   | 30Mpa     |
| Maximum working pressure | 42Mpa     |

| Propeller shaft spline   |   |        |        | Displacement | Oil suction pressure | Oil suction displacement | Ports A、B             |                | Ports L1、L2 | Port S | Port M |
|--------------------------|---|--------|--------|--------------|----------------------|--------------------------|-----------------------|----------------|-------------|--------|--------|
| Teeth                    | Z | 21     | 23     |              |                      |                          | M12-7H<br>Depth: 25mm |                |             |        |        |
| Radial pitch             | M | 16/32  | 16/32  |              |                      |                          | A6<br>mm[in]          | A7<br>mm[in]   |             |        |        |
| Pressure angle           | a | 30°    | 30°    |              |                      |                          | 7/8-14 UNF-2B         | 7/16-20 UNF-2B |             |        |        |
| Dividing circle diameter | D | Ø33.34 | Ø36.52 | 70/90 ml/r   | 1.6-1.8 Mpa          | 22                       | 57.2                  | 27.8           |             |        |        |



|               |             |                          |  |
|---------------|-------------|--------------------------|--|
| Product model |             | HPV70/90-MA-R/L-23       |  |
| Product name  |             | Closed axial piston pump |  |
| Date          | Weight (kg) | Proportion               | Shangdong Highland Hydraulic Seiko Co.,Ltd |
|               | 64          | 1:5                      |  |